


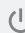

süki

RABBIT BULLET INSTRUCTION MANUAL

nobüminis

01

GETTING STARTED:

- Be sure to fully charge your toy before first use.
- Press and hold  to turn the device on.
- When the device is on, promptly press  again to filter through various vibration functions.
- Press and hold  to turn the device off.
- Make sure that the LED light is off before storing.

02

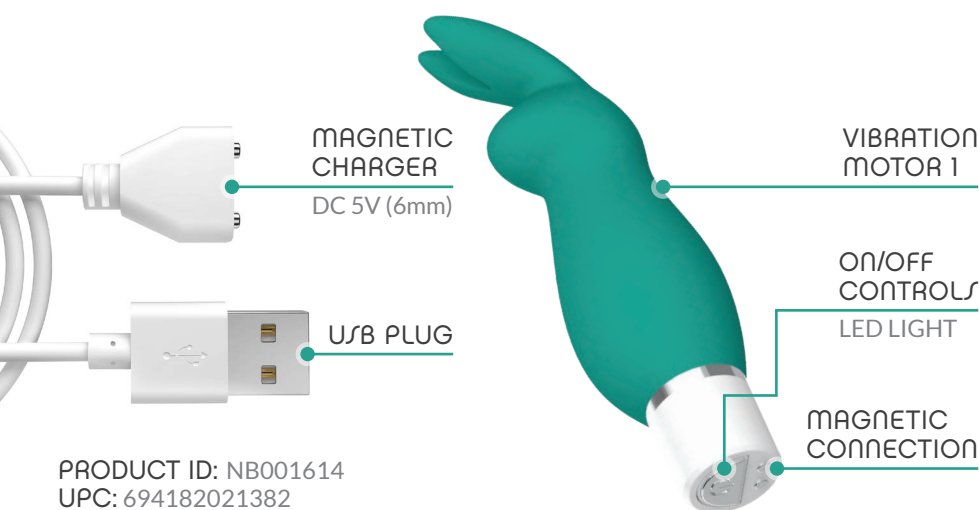
CHARGING YOUR NOBÜ:

- When the motor becomes weak or stops, it is time to charge your toy.
- Attach the magnetic end of the charger to your toys charging port, ensuring that the magnets line up.
- Insert the USB end of the charger into any USB dock or socket. The LED light will blink to indicate that the toy is charging.
- After about 2 hours, the LED light will stop blinking and remain on to indicate that the toy is fully charged.

03

CLEANING AND STORAGE:

- Always wash your toy with warm water and soap after use. For best results, we recommend using Nobü antibacterial toy cleaner. Do not use cleaners that contain alcohol, petrol or acetone.
- Rinse your toy with hot water after cleaning and pat dry with a lint-free towel or cloth.
- Store your toy in a clean, dry and dust-free place. Avoid leaving it in direct sunlight, and never expose your toy to extreme heat.




PRODUCT ID: NB001614
UPC: 694182021382

PRODUCT SPECIFICATIONS:

SIZE: 5" x 1 - 1¼" Ø (12.7cm x 2.5 - 3.2 cm Ø)
WEIGHT: 86 grams
MATERIALS: Medical grade silicone + ABS.
WATERPROOF LEVEL: IPX7 (submersible up to 1 meter for 30 minutes).
NOISE LEVEL: <40dB
INTERNAL BATTERY: Lithium Polymer 751525, 230mAh, 3.7V.
USER TIME: Up to 2 hours depending on power setting.
CHARGING TIME: 2 hours.

FOR YOUR SAFETY: Not classified as a medical device. Do not use your toy around your neck, chest or throat area. If you experience severe discomfort during use, stop use immediately and consult your healthcare provider. Sold as an adult novelty only. Not intended to treat, cure, or prevent disease. Keep away from children.

PACKAGING DIMENSIONS: 3" x 7" x 1½" (width, length, depth).

 nobu_toys
 nobutoyscanada
(514) 855-0045
1 (800) 465-5822
info@nobutoys.com



VISIT US ONLINE
TO BROWSE
OUR COMPLETE
COLLECTION

www.nobutoys.com